



Performance Engineered Solutions (PES) offers you instant access to our extensive engineering design resources and expertise from an engineering team focused on your success.

YOUR CORE ENGINEERING DESIGN RESOURCE

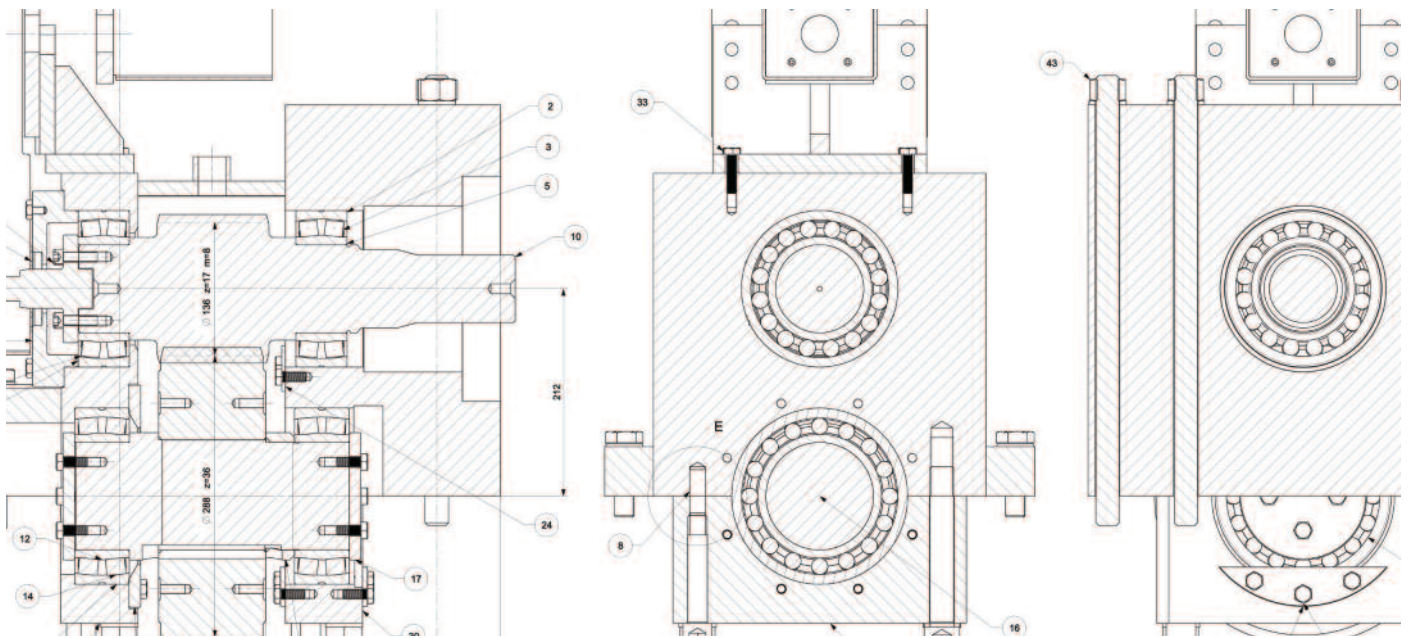
Increase your engineering design capabilities and deliver a seamless service for your clients by making Sheffield-based PES Performance part of your engineering team.

We can provide a range of engineering design services with capabilities that include but not limited to;

:Core Engineering Design Services

- 2D Technical Drawing production & Drafting
- Assembly Drawing production
- Digitising original drawings for 3D CAD
- 3D CAD Modelling
- Design & product performance optimisation
- Product Development
- CAD contracting & client support
- Design for Tooling, Jigs & Fixtures
- Design for Manufacture (DFM)
- Design for plastic injection moulding
- Mechanical Design





Reverse Engineering

- 3D Scanning & Reverse Engineering
- Optimisation & Re-manufacture of legacy equipment
- Reverse engineering & Rapid prototyping
- CT Scanning
- Digital Archiving (using 3D data capture)
- Surfacing & A class surfacing
- Planned Preventive Maintenance (PPM)

Advanced Engineering Design & Management

- Design for composites
- Additive Layer Manufacturing (3D printing)
- Project Management & Planning
- Testing & Analysis FEA – CFD
- 3D Scanning for NDT/NDE
- Costing Analysis & Reduction
- Collaborative R&D projects

About Us

Performance Engineered Solutions (PES) Ltd is an engineering design company based on the Advanced Manufacturing Park (AMP) in Sheffield. We deliver solutions for clients locally, nationally and internationally in multiple environments. We deliver projects large and small, and like to work closely with our clients to deliver to their requirements.

Our team can deliver a small, fast-turn-around design project or a major redesign with equal efficiency and can support both local and international projects.

Whether it's getting it right from the start, solving an urgent problem, simple design changes for a client to optimise manufacture or meeting a tight deadline, PES Performance has the resources, organisation and innovative thinking to support your engineering design needs.

If you would like to discuss any current challenges and potential projects that will require a dedicated design support or would simply like to know more about how we can add additional capabilities to your business services then call us for a chat.

Performance Engineered Solutions (PES) Ltd
 AMP Technology Centre, Advanced Manufacturing Park
 Brunel Way, Sheffield, S60 5WG, UK

Tel: +44 (0) 114 321 6375
 e-mail: enquiries@pes-performance.com

rapid manufacturing testing precision computational fluid dynamics detail drive finite element analysis
 engineering commitment aerodynamics inspection focus design performance integrity advanced
 injection moulding experience rapid manufacturing testing
 dynamics detail drive finite element analysis reverse engineering
 design performance integrity advanced composites
 pes-performance.com rapid